



PATTERN 15024 GRAPES PATTERN

1.0" Depth
GrayLastic™

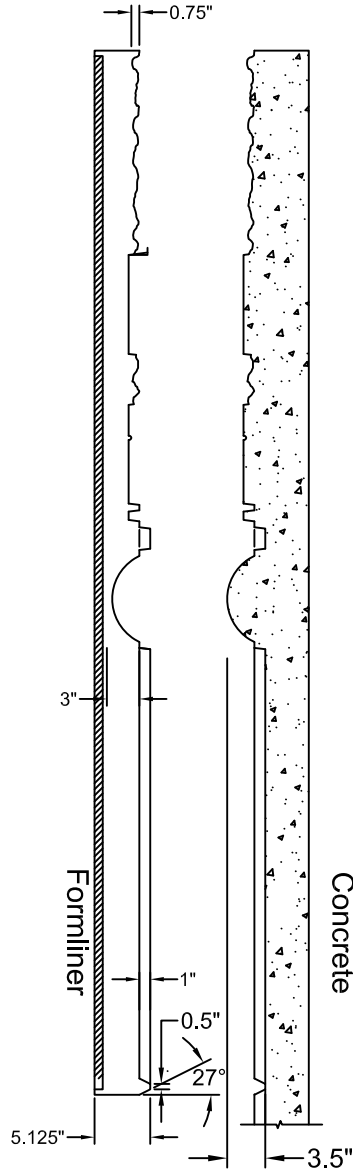
Elastomeric Urethane - up to 100 uses.
Mold bonded to 0.75" plywood. Add 1.125" to liner thickness.

Geometric

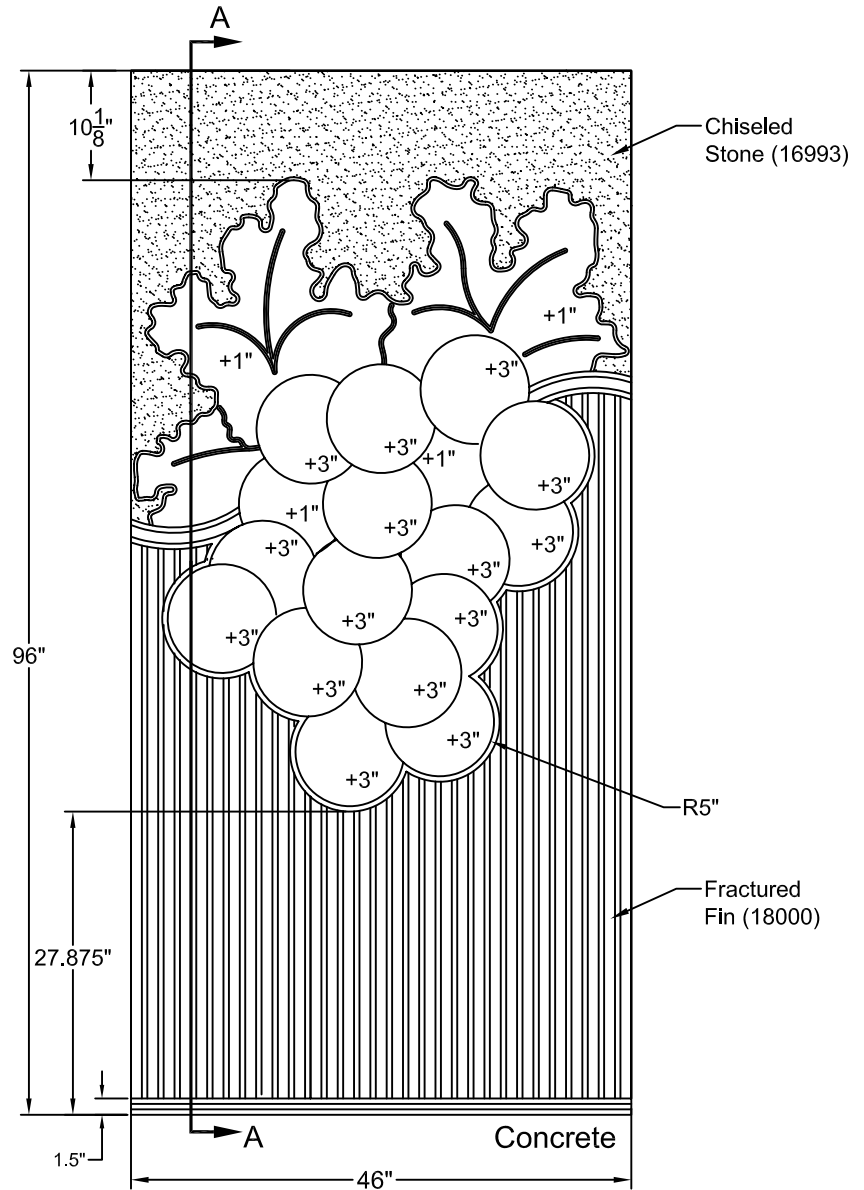
Part Size: 46"W x 96"H

Max Depth: 3.5"

Forming The Future™



Section A-A



FORMLINER DETAIL

This document contains confidential and proprietary information of Fitzgerald Formliners, Inc. and is protected by copyright, trade secret, and other state and federal laws. Its receipt or possession does not cover any rights to reproduce, disclose its contents, or to manufacture, use, or sell anything it may describe. Reproduction, disclosure, or use without specific written authorization of Fitzgerald Formliners, Inc. is strictly forbidden.

FITZGERALD FORMLINERS
1500 East Chestnut Avenue • Santa Ana, CA 92701 • Fax (714) 245-9715
Ph: (800) 547-7760 • Ph (714) 547-6710 • www.formliners.com

Pattern can be requested in AutoCad format.

File Name: S-15024-GR-6-25-08

Page 1 of 1