



PATTERN 16931

HAIKU RANDOM PLANK

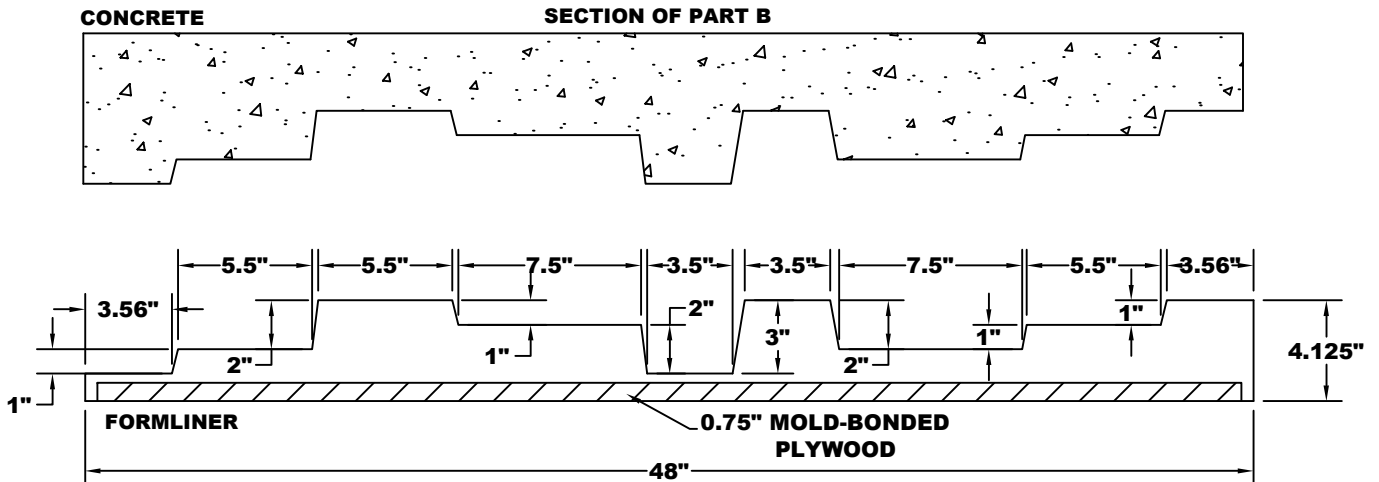
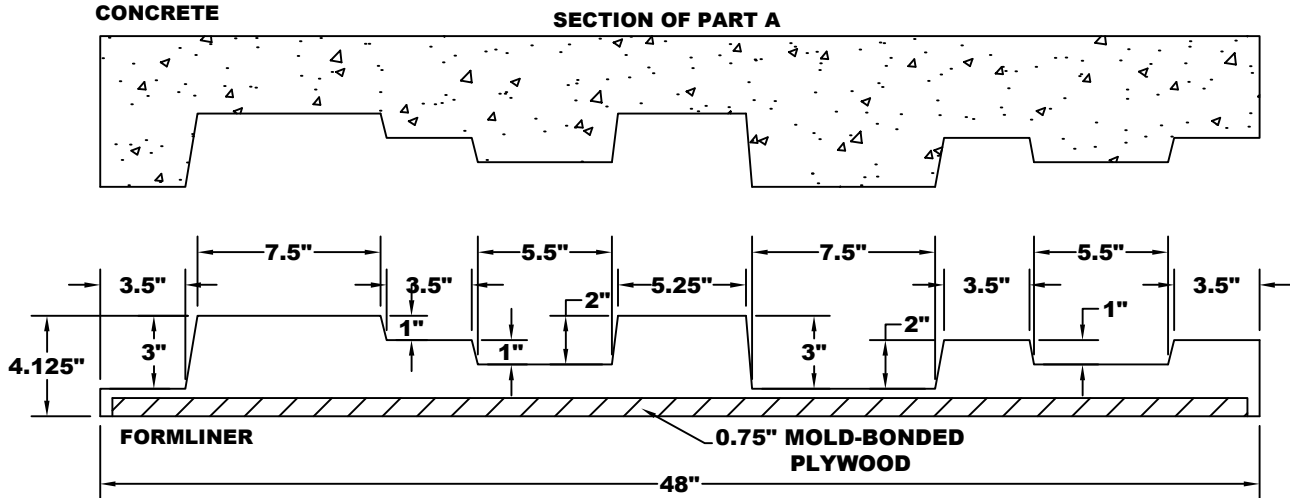
GRAYLASTIC™

1"- 3" STEP HEAVY GRAIN

RANDOM GRAIN PLANKS

PART SIZES: 48" W X 192" (3 MOLDS)

SEE OVERALL PATTERN AND
PART 3 SECTION ON SHEET 2 OF 2



ANY FULL PATTERN CAN BE DOWNLOADED IN AUTOCAD FORMAT FROM OUR WEBSITE AT WWW.FORMLINERS.COM

THIS DOCUMENT CONTAINS CONFIDENTIAL AND PROPRIETARY INFORMATION OF FITZGERALD FORMLINERS, INC. AND IS PROTECTED BY COPYRIGHT, TRADE SECRET, AND OTHER STATE AND FEDERAL LAWS. ITS RECEIPT OR POSSESSION DOES NOT COVER ANY RIGHTS TO REPRODUCE, DISCLOSE ITS CONTENTS, OR TO MANUFACTURE, USE, OR SELL ANYTHING IT MAY DESCRIBE. REPRODUCTION, DISCLOSURE, OR USE WITHOUT SPECIFIC WRITTEN AUTHORIZATION OF FITZGERALD FORMLINERS, INC. IS STRICTLY PROHIBITED.



FITZGERALD FORMLINERS
1500 E. Chestnut Avenue, Santa Ana, CA 92701

(714) 547-6710
FAX (714) 547-7958
www.formliners.com

DWG NO: S-16931GR-1-001
DATE: 4/23/03 DRWN BY: S.M.
SCALE: 1:8 SHEET 1 OF 2